

LED DISPLAY

Engineering installation manual

Shanghai Harse Electromechanical Technic Co.,Ltd

Responsibility Description : the following data and examples are for reference only, customers please design according to actual condition , construction of the professional construction.If there is not complete please understanding!

Catalogue

Section one : LED display assembly process

- 1.1、 Engineering installation work preparation and understanding of the product
- 1.2、 The case of led display structure assembly .
- 1.3、 Signal lines connected
- 1.4、 Power line connected
- 1.5、 Cabinet figure

Section one : LED display assembly process

1.1、 Engineering installation work preparation and understanding of the product

1.1.1、 To prepare the basic tools for installation .

- | | | |
|----------------------------|------------------------|------------------------|
| 1.Socket head screw driver | 2.Phillips screwdriver | 3.straight screwdriver |
| 4.universal meter | 5.spanner | 6.screw |
| 7.connection strap | 8.square steel | |

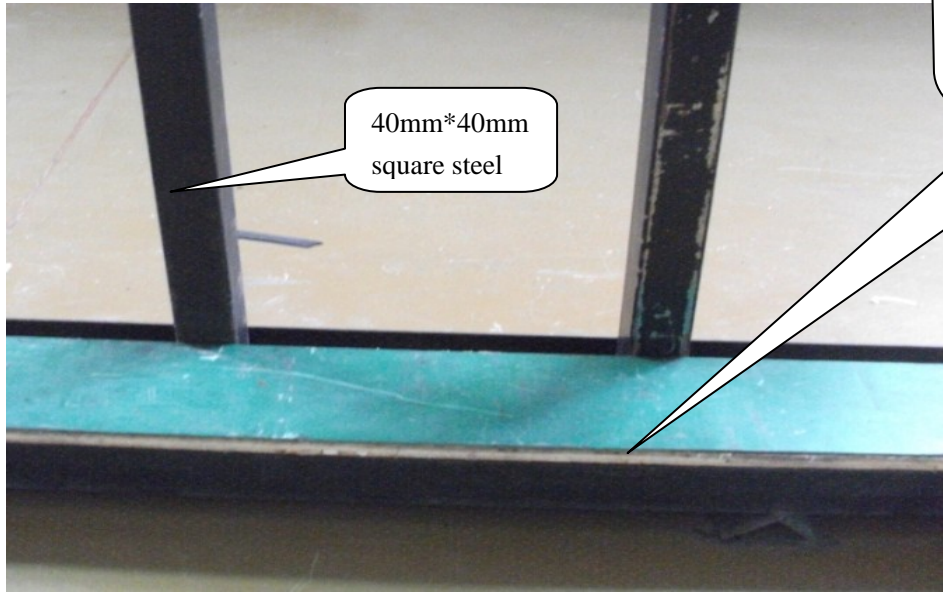
1.1.2 The case for led screen structure assembly , just for reference .

LED display assembled : design display frame first , as shown in figure below. To keep level off at the bottom of the frame. The measurement level .



40*40mm
Square steel, the
length design by
height of the
screen .

Cabinet put on this table, the surface and 40 mm * 40 mm square steel vertical , The width and the thickness of cabinet is consistent , or less then cabinet thickness.



40mm*40mm square steel



Signal out

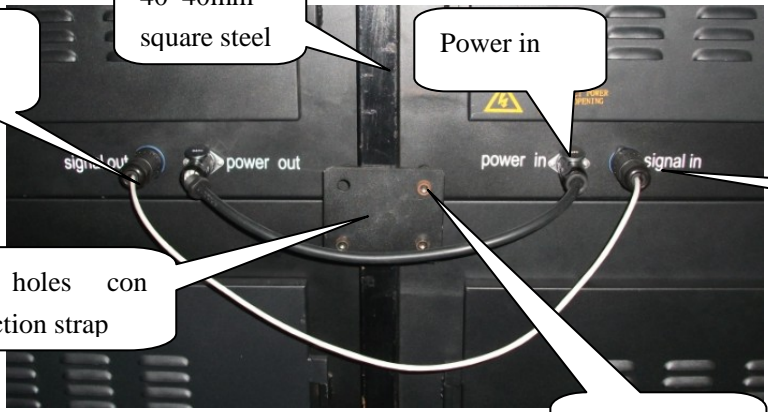
40*40mm square steel

Power in

Signal in

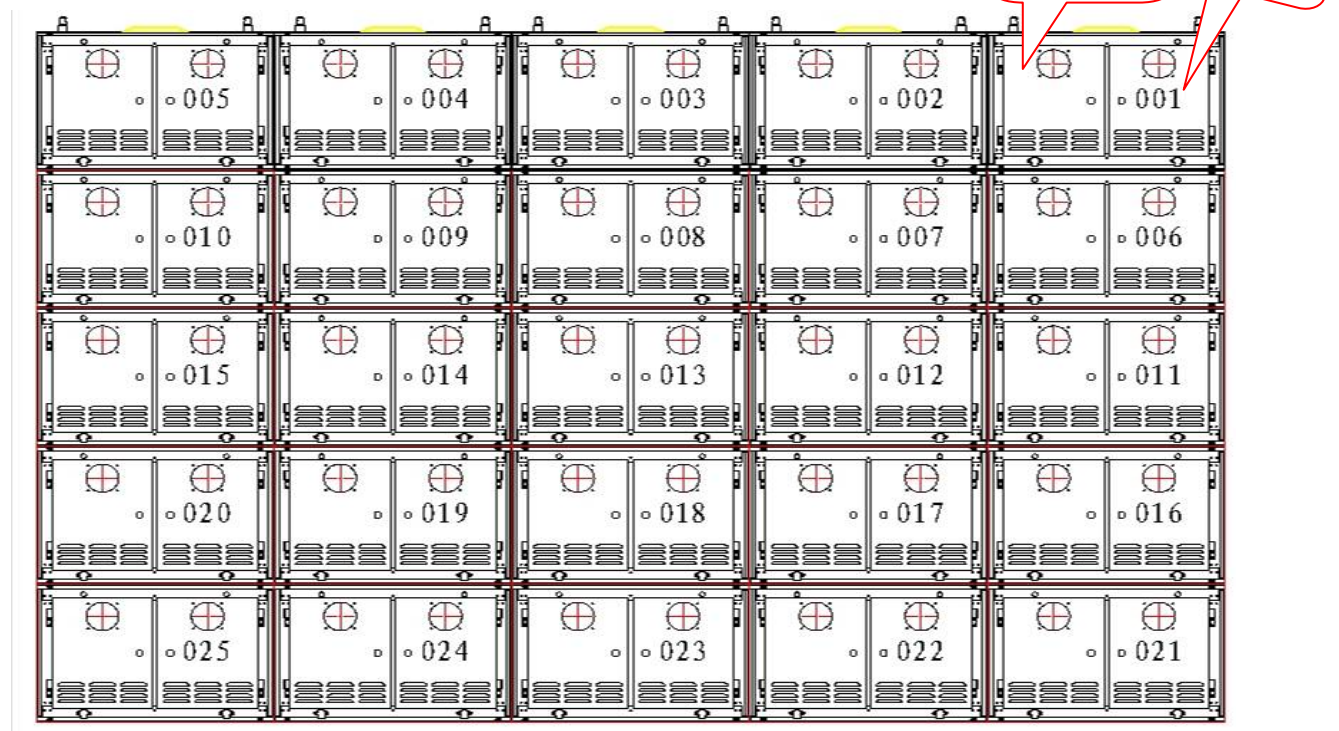
Four holes con connection strap

Socket head screw



1.2 The case of led screen structure assembled

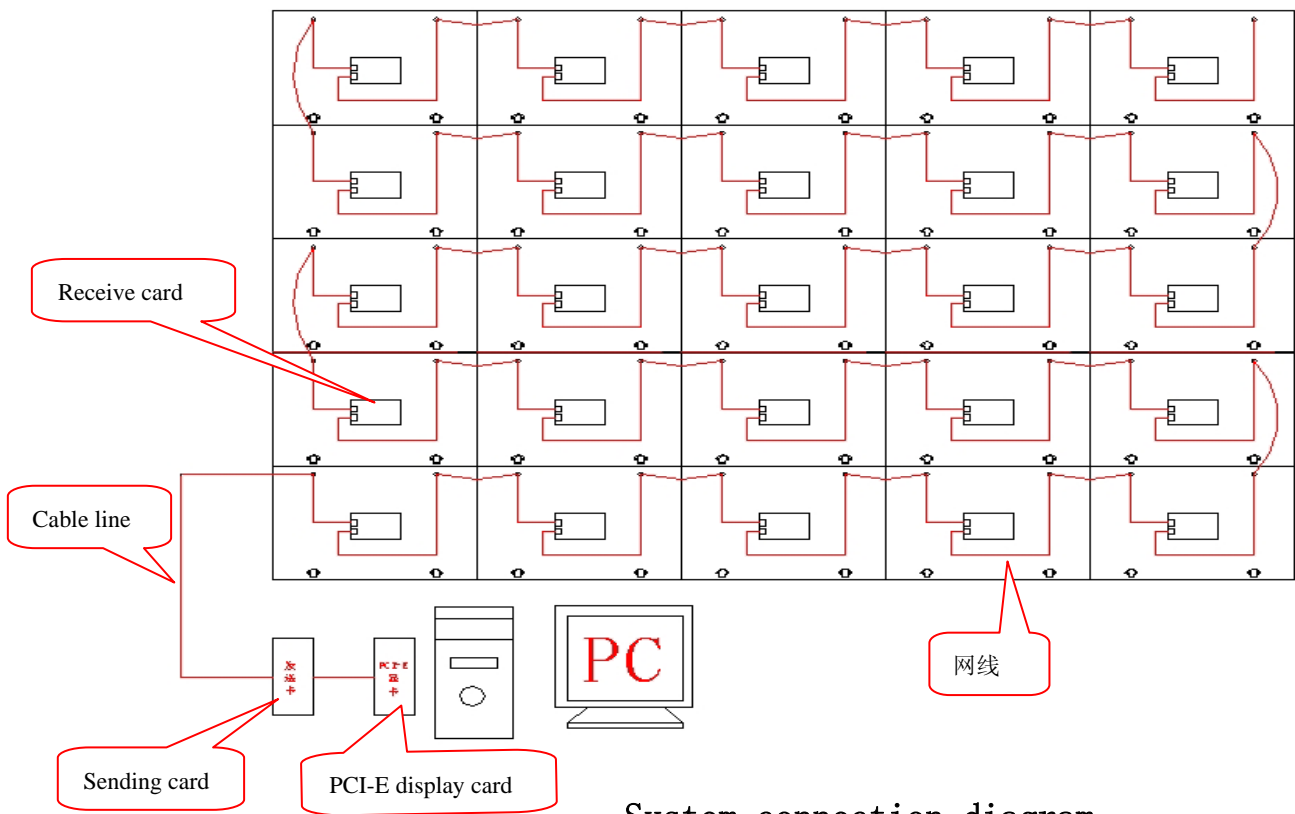
For example, the following screen: 5m(w)X5m(h), 25 cabinet assembled .



Display the overall assembly diagram (back view)

1.3 signal connect line

1.3.1 The whole screen system diagram

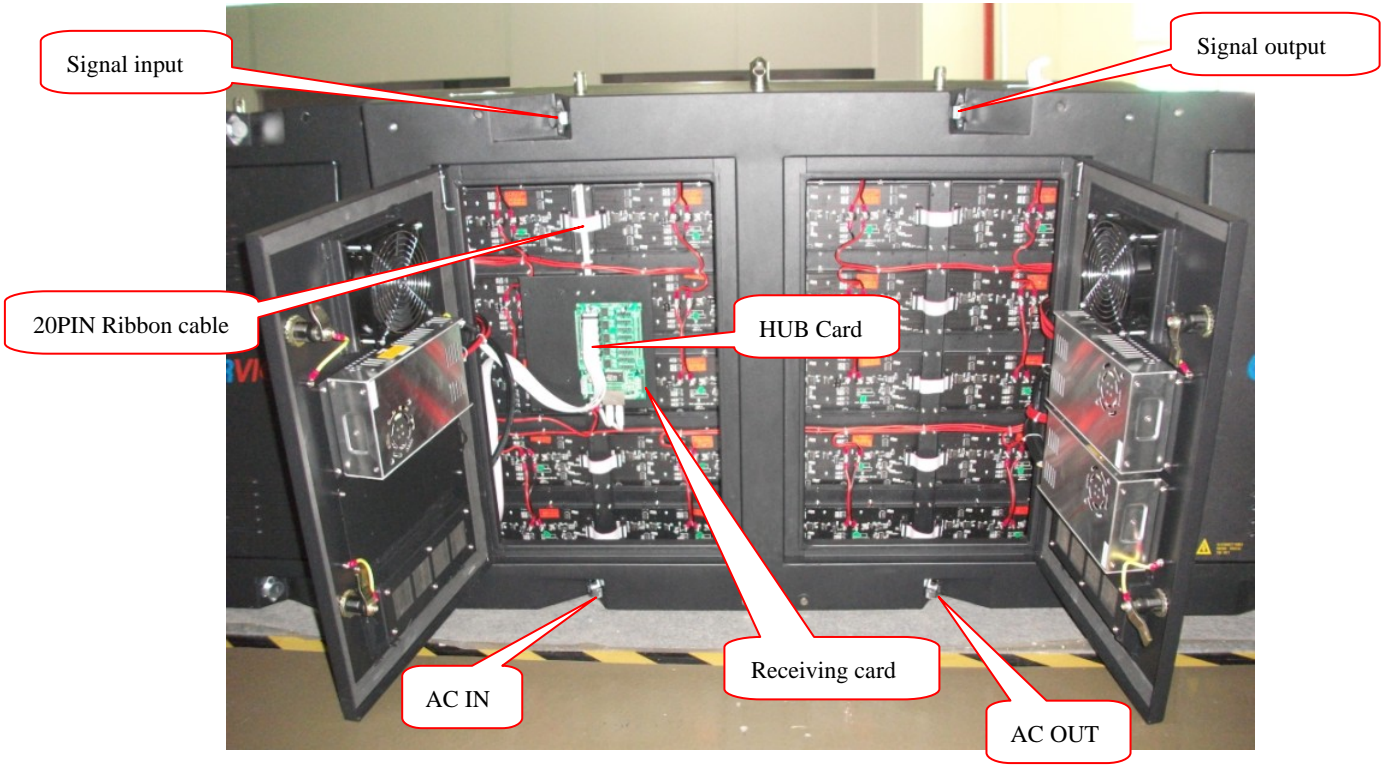


System connection diagram

System connection as shown in the above, through the computer with a built-in PCI - E graphics after the video signal acquisition by the DVI line send to the sending card, after the sending card for the data processing then will sent signal through the cable to the screen of the receiving card, HUB card, HUB card provides signals to unit board.

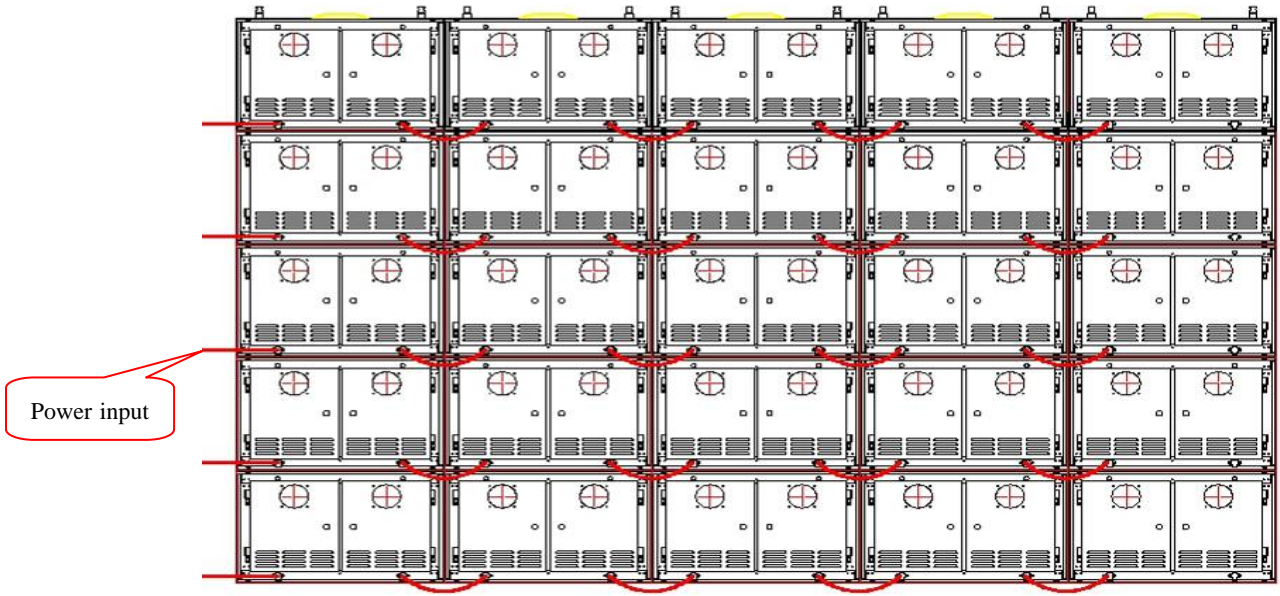
Screen cable from the lower left transfer, up from the last card output signal transmission, connected in turn.Go U connection.

1.3 Unit internal cabinet signal connection



2-2 Cabinet internal signal connection chart

- 1. 4、Power supply connection line
 - 1. 4. 1. the whole screen power connection line



The whole screen power supply connection as shown in the above, using the 3 * 2.5 cable power supply, each cables with 10 to 12 power .



Power line connect each cabinet



Connection cabinet and the power distribution cabinet

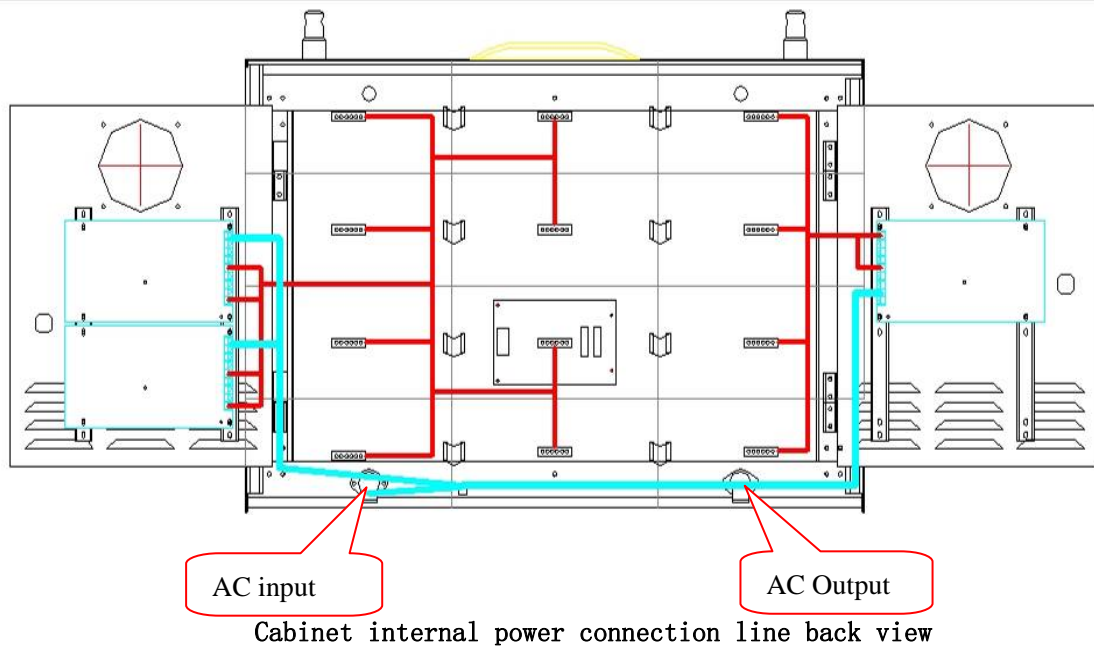
Power cable the points for attention :

(1), from 5 v dc power supply output voltage by the 4 pin terminal to the cabinet units in panel power supply, ac power cord is supplied by 3 x 2.5 m2 cable ,attention in wiring, on both sides of the connection shall be the same color, red to red and yellow to yellow, blue to blue.

(2), in order to make the connection is firm and reliable, all USES the type 0 terminals, so it can avoid terminal all off or contact undesirable phenomenon. Definition .

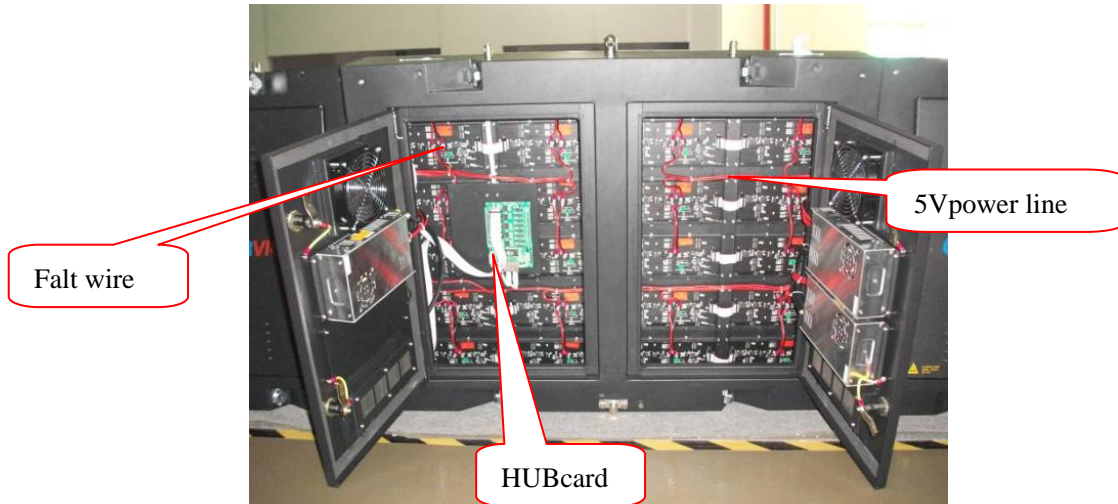
(3)The color of the line: red - wire, blue - zero, yellow-green - ground, paying special attention to the different colors of cable, hybrid junction is prohibited.

1. 4. 2. The cabinet internal power lines

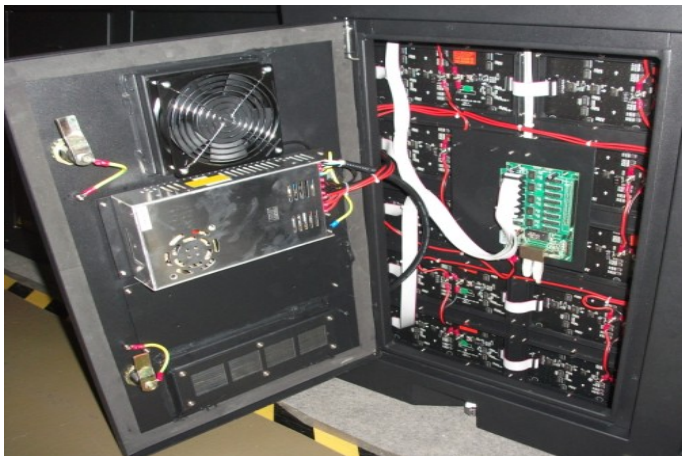


1. 5、Cabinet physical figure

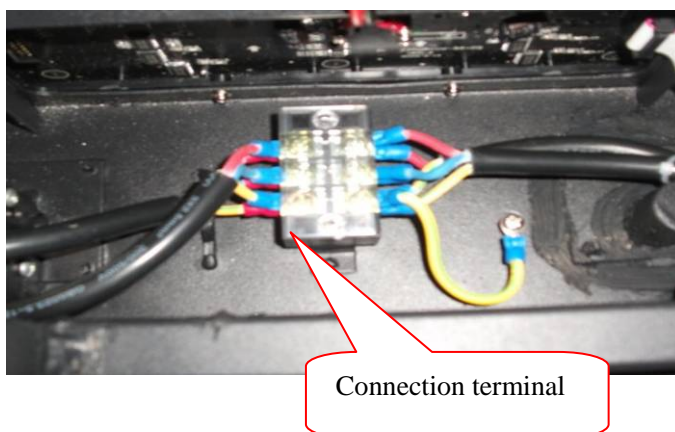
1. 5. 1、cabinet module connection figure



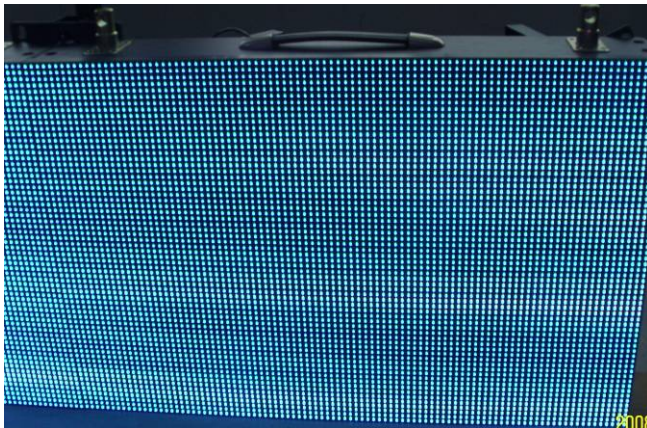
1. 5. 2、Cabinet power supply



1. 5. 3、The power supply terminals figure

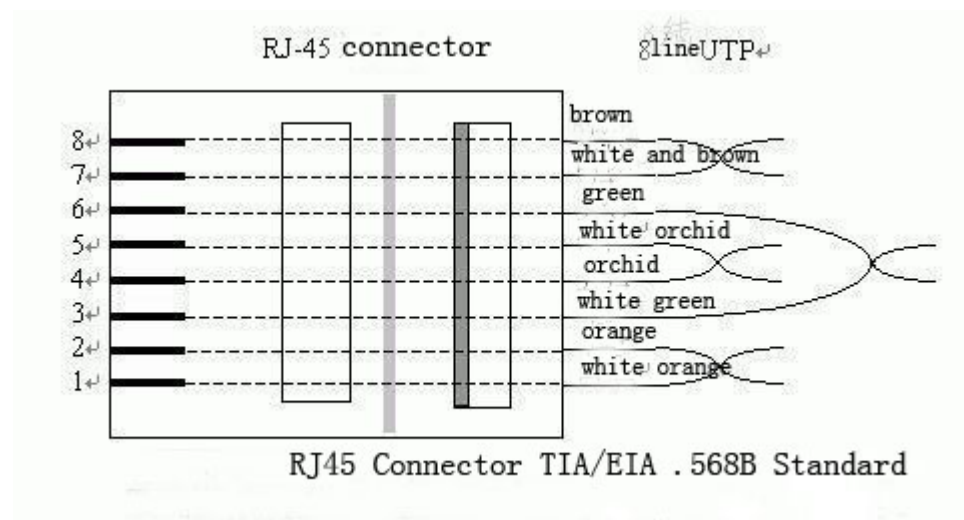


1. 5. 4、The cabinet screen



6、Gb Ethernet cable production methods

RJ - 45 connector lines with an array of two methods, respectively is 568 b and 568 a, we often use the 568 b, arranged as below:



On both ends of the cable are: 1 orange white, 2 orange, green and white, 3 4 blue, blue and white 5, 6, green, brown, white, brown .

1、 Daily maintenance and use information

Daily maintenance:

- (1) regularly use soft cloth to wipe the surface dust of the LED display , keep the LED display surface clean, clean.
- (2) work environment should be ventilated, dry and comfortable temperature.
- (3) check display the internal wiring is loose, switching power supply is working correctly, the ground wire must be connected and the lightning protection devices are in good condition.

2、 Notice for use

- (1)Before open the led screen, ples start the computer first, then open the LED display power supply from the power distribution cabinet.
- (2) Close the led display . close the LED display power supply from the power distribution first , then shut down the computer.
- (3) When you make program , please close the led display.
- (4) Have protective earthing terminal, which is 220 v alternating current (ac) must be ground wire.
- (5) The lightning protection and current overload protection switch control (air)
- (6) Connection between the switch power supply must be in phase.
- (7) When the fault occurs, close the LED display from the power distribution ark first then contact the after-sales service department of our company, to seek technical support.